

LOCO CHASSIS CONSTRUCTION DIAGRAMS

Diagram 16 i - cab fittings etc.
(for more details refer to photos)

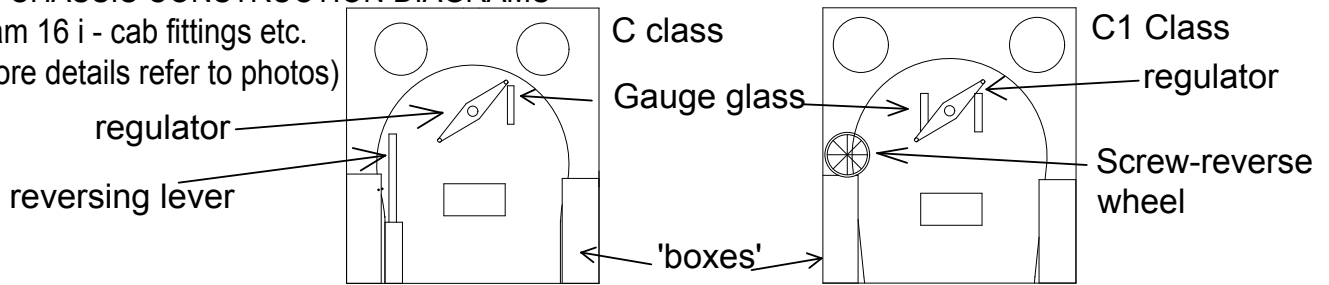
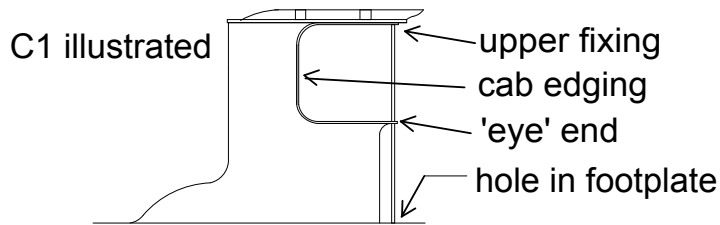
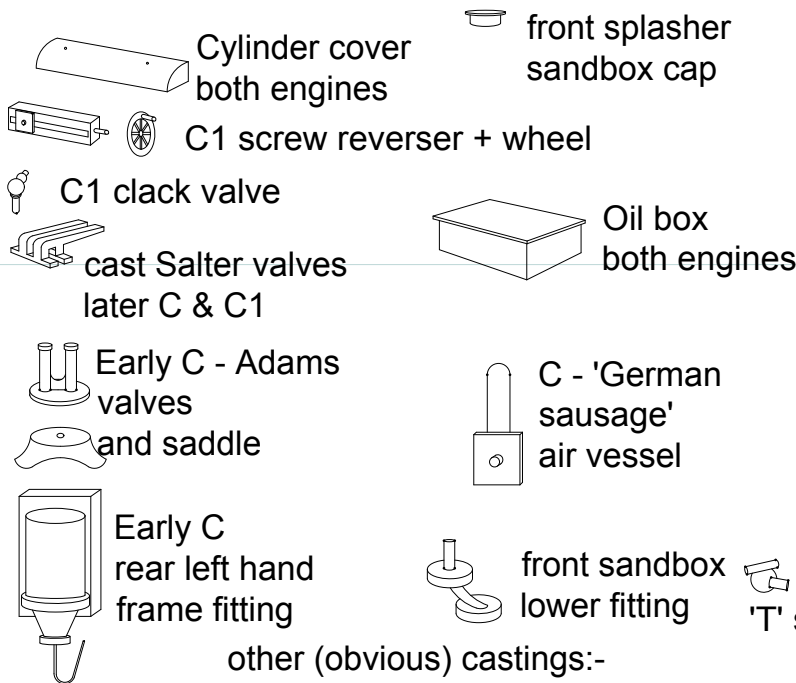


Diagram 16 ii
Cab edging & handrail pillar

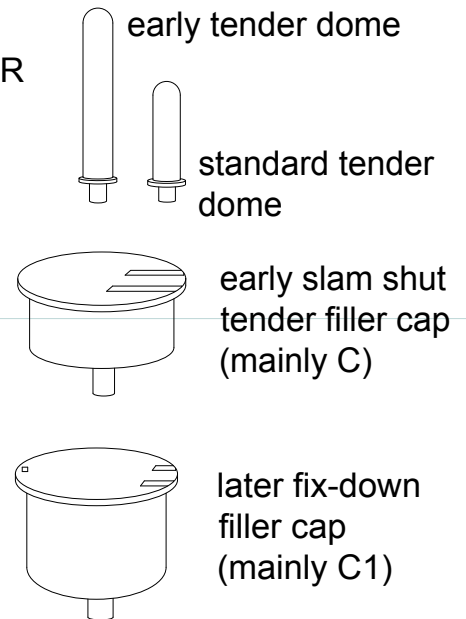


CASTINGS - only the less obvious ones are illustrated.

LOCO NOT TO SCALE!



TENDER



other (obvious) castings:-

Whistle, chimney + cap, standard Stroudley dome, boiler backhead & regulator, smokebox doors, Westinghouse brake pump, brake pipes

TENDER

Fig 1 / Diagram 6

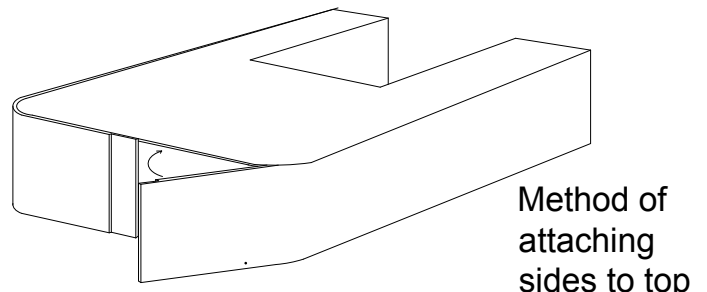
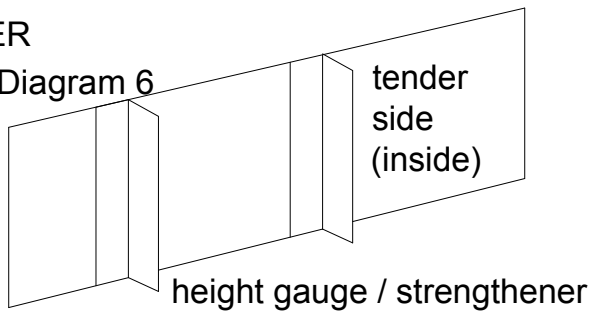
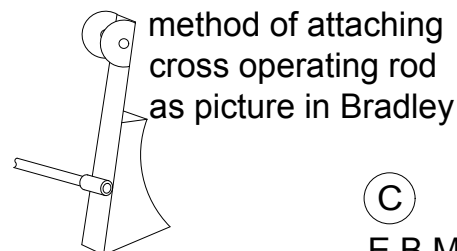
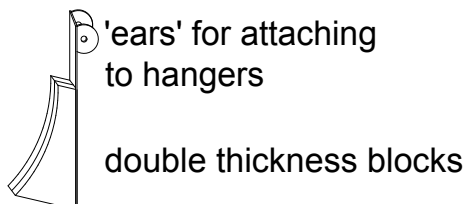


Diagram 9
Tender brakes



©

E.B.Models 2003

LOCO CHASSIS CONSTRUCTION DIAGRAMS

Diagram 16 i - cab fittings etc.
(for more details refer to photos)

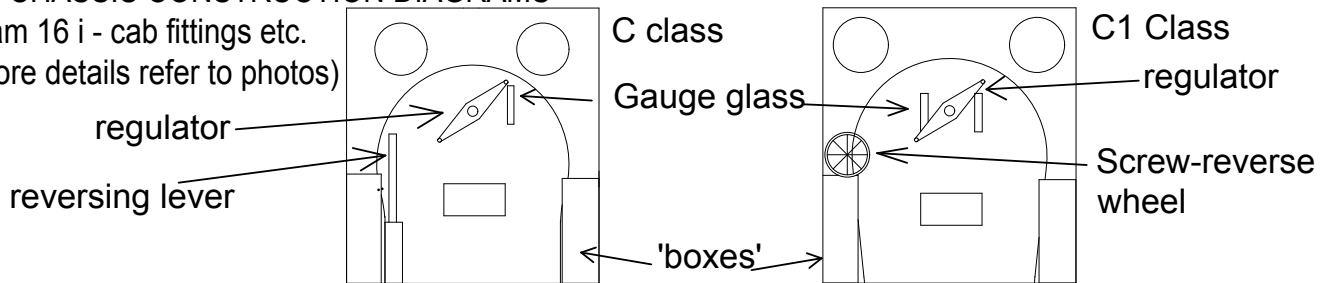
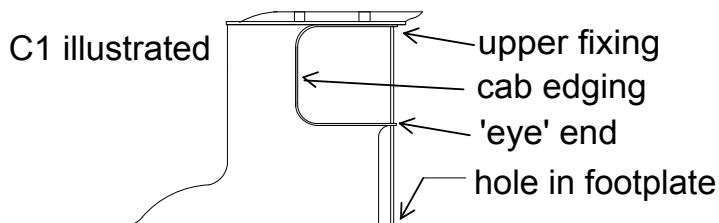
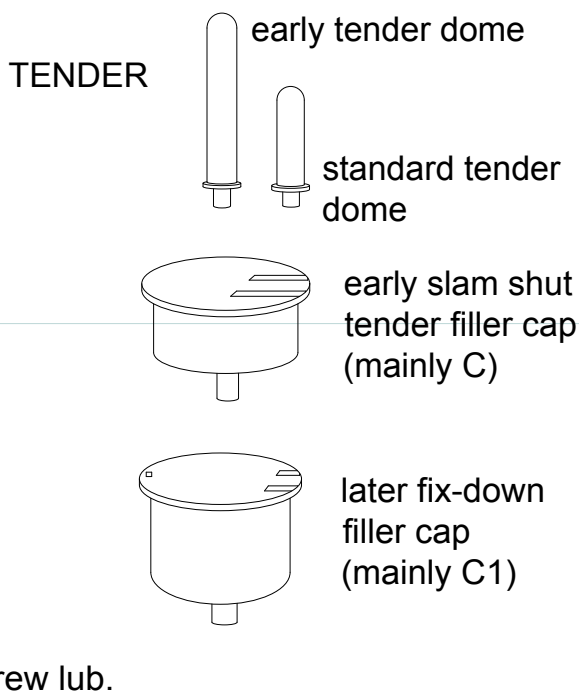
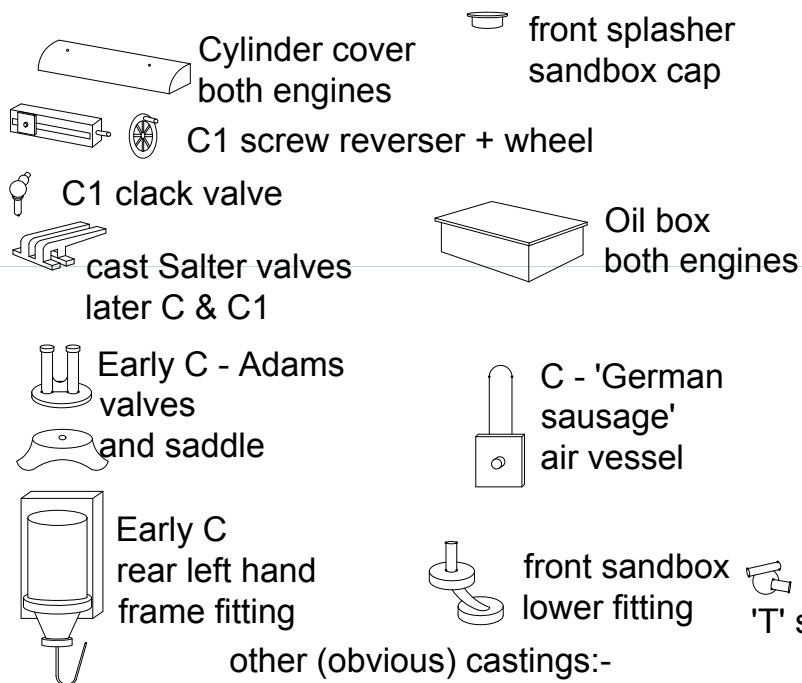


Diagram 16 ii
Cab edging & handrail pillar



CASTINGS - only the less obvious ones are illustrated.

LOCO NOT TO SCALE!



other (obvious) castings:-

Whistle, chimney + cap, standard Stroudley dome, boiler backhead & regulator, smokebox doors, Westinghouse brake pump, brake pipes

TENDER

Fig 1 / Diagram 6

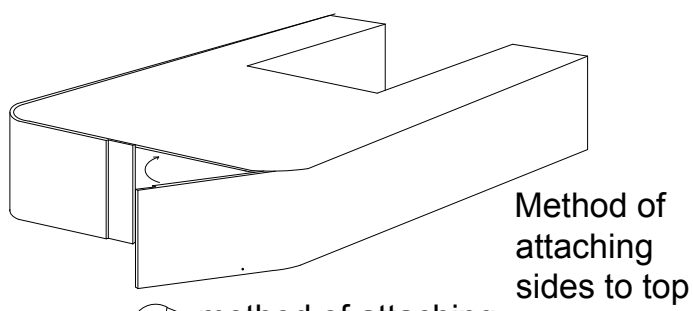
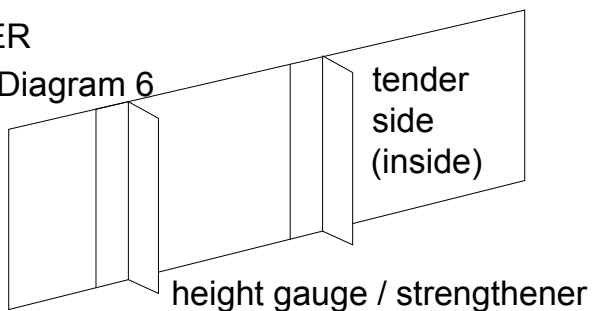
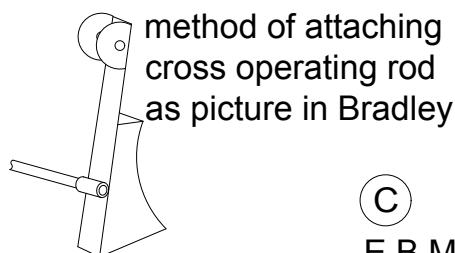
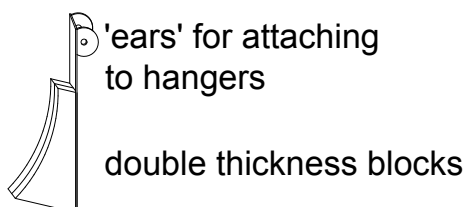


Diagram 9
Tender brakes



©

E.B.Models 2003